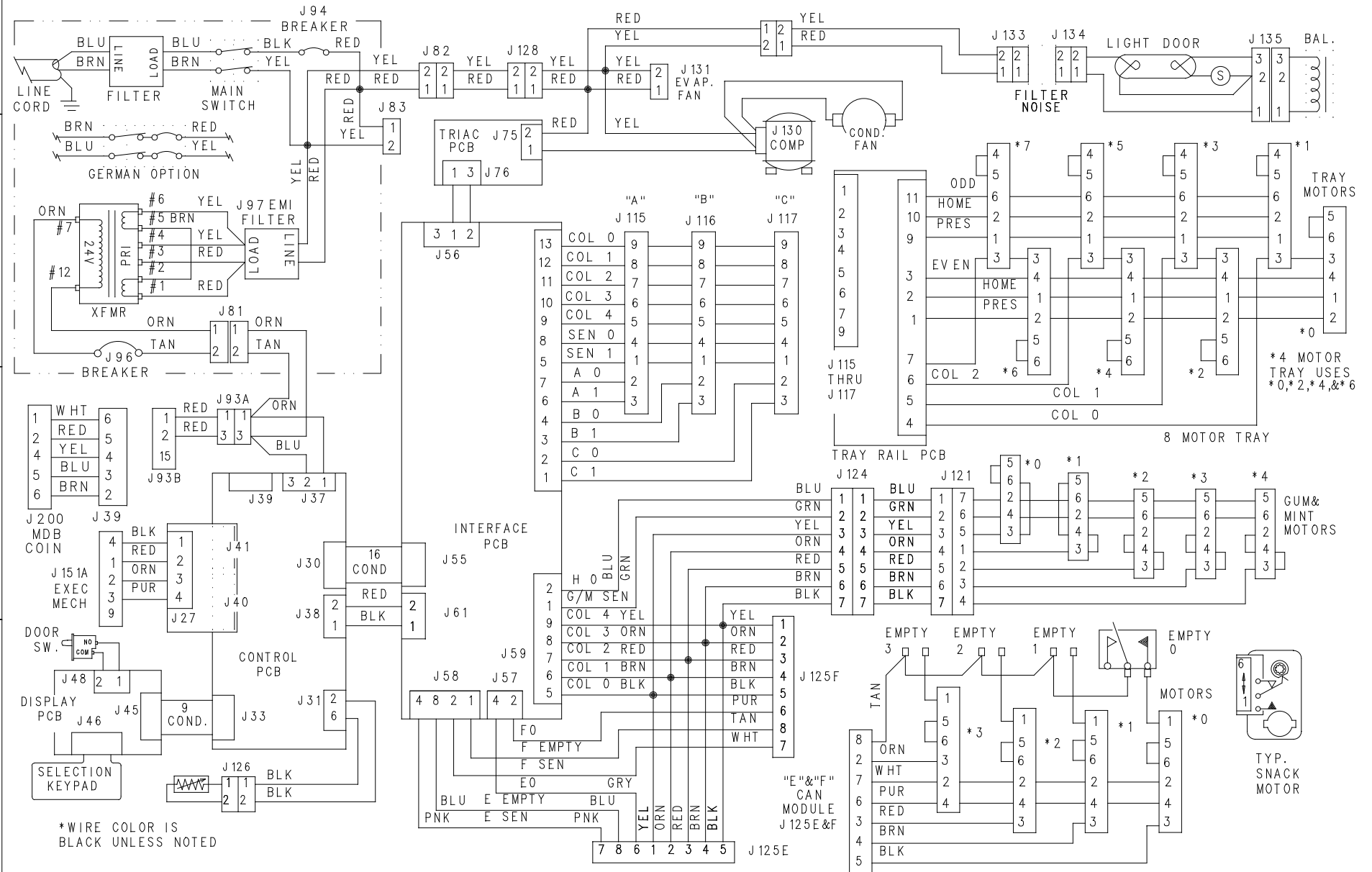


PART NO: WD491000	PART TITLE: W. D.- SNACK / CAN MODULE - 230V
TOLERANCE UNLESS NOTED: 2 PLACE +/- .02 ANGLES +/- .05° 3 PLACE +/- .005 FORMS +/- .10° CONCENTRICITY TIR .010	
DO NOT REVISE MANUALLY * CAD DRAWING FILE NAME: WD491000.MI	
DIMENSIONS IN INCHES UNLESS NOTED	SCALE: NA
DATE:	DRAWN BY: J.S.
CHECKED BY:	APPROVED BY:

LTR	REVISION DESCRIPTION	ECO NO.	DATE	APPROVED



\* WIRE COLOR IS BLACK UNLESS NOTED

"E" & "F" CAN MODULE J125E & F

